

MYERS® QUICK PRIME 3/4-3 HP SELF-PRIMING CENTRIFUGAL PUMP

The quick prime self-priming centrifugal pump is designed for demanding jobs where a lot of water is required over a long period of time. For lawn and garden sprinkling, car washing, or other big cleaning and maintenance jobs, it's built for one purpose only - continuous high performance service. Contact your MYERS distributor, or the MYERS Ohio sales office at 419-289-1144 for more details.

ADVANTAGES BY DESIGN

RUGGEDLY BUILT TO MEET THE DEMANDS FOR LONG, HARD CONTINUOUS SERVICE WITHOUT OVERWORKING OR OVERLOADING THE MOTOR

- Manufactured to precise performance specifications.
- Impellers are corrosion resistant for long life.
- Single and 3-phase options. NEMA standard motors.
- Sizes: 3/4, 1, 1 1/2, 2 and 3 HP.

SIMPLE DESIGN FOR POWERFUL, EFFICIENT OPERATION AND EASE OF SERVICE

- Proper impeller alignment for smooth, quiet running.
- Unique diffuser design for quick automatic prime. No additional water needed for repriming after installation.
- Common brackets, cases and gaskets on all sizes.

MATERIALS OF CONSTRUCTION

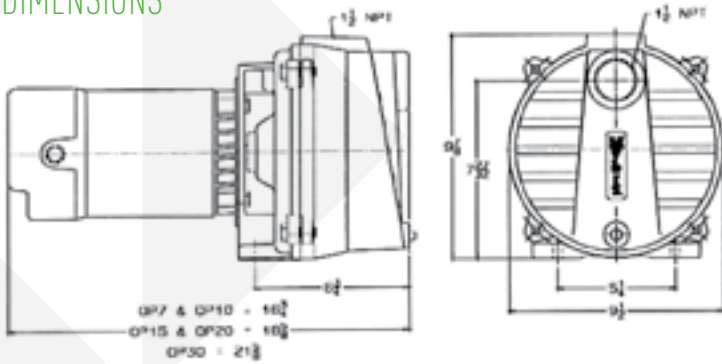
- High tensile gray iron pump case and motor bracket.
- Square rubber sealing rings.
- Proven phenolic diffuser.
- Glass filled polyester and polycarbonate blend or lead-free brass impeller.
- Carbon/ceramic shaft seal.

TECHNICAL INFORMATION

H.P.	Pipe Sizes		Maximum Total Shutoff Hd.		1 & 3 Ø Approx. Wt. Lbs.
	Suct.	Disch.	Feet	PSI	
3/4	1 1/2"	1 1/2"	105	45.5	58
1	1 1/2"	1 1/2"	108	47	61
1 1/2	1 1/2"	1 1/2"	111	48	68
2	1 1/2"	1 1/2"	116	50	74
3	1 1/2"	1 1/2"	121	52	87



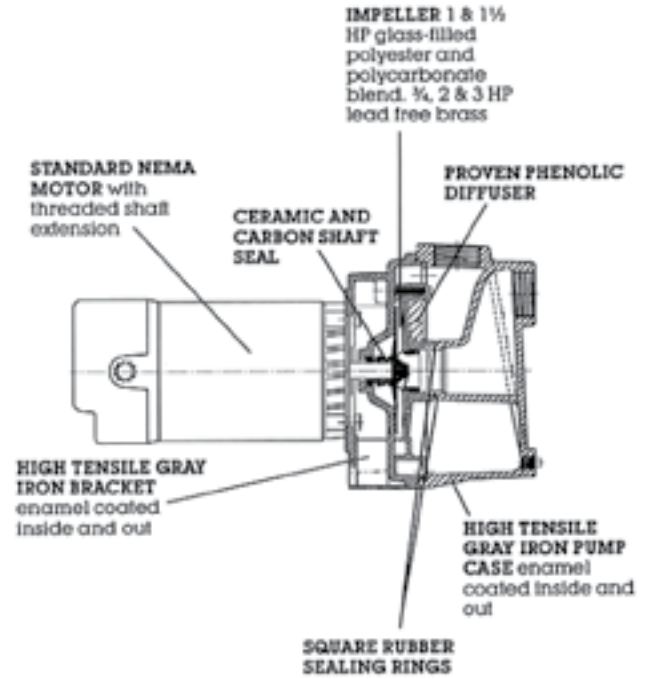
DIMENSIONS



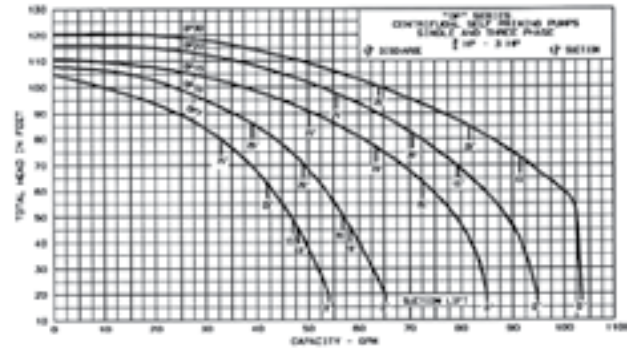
PERFORMANCE DATA

Model Nos.		HP	Disch. Press. PSI	Capacity in G.P.H. For Discharge Pressure & Total Suction Lift Indicated			
1 Phase	3 Phase			10Ft.	15Ft.	20Ft.	25Ft.
QP7	QP7-3	3/4	20	2445	2290	2170	1995
			25	2145	2010	1855	1650
			30	1845	1635	1390	1080
			35	1295	905	510	
			40	390			
QP10	QP10-3	1	20	3075	2935	2785	2355
			25	2775	2610	2440	2245
			30	2430	2250	2020	1755
			35	1980	1660	1240	600
			40	1145	300		
QP15	QP15-3	1 1/2	20	4300	4165	3805	3015
			25	3990	3750	3525	3015
			30	3575	3300	3035	2700
			35	3030	2620	2220	1495
			40	2210	1555		
QP20	QP20-3	2	20	4735	4600	4230	3330
			25	4480	4290	4020	3330
			30	4110	3815	3505	3180
			35	3510	3175	2820	2400
			40	2850	2430	1950	
QP30	QP30-3	3	20	5580	5460	4920	3840
			25	5575	5460	4920	3840
			30	5390	5135	4720	3840
			35	4865	4400	3940	3420
			40	4075	3550	2910	2250
			45	2875	1800		

Single phase units are dual voltage (115/230) 2 & 3 HP are 230 only.



PERFORMANCE CURVE



740 EAST 9TH STREET,
ASHLAND, OHIO 44805
WWW.FEMYERS.COM

490 PINEBUSH ROAD, UNIT 4
CAMBRIDGE, ONTARIO
N1T 0A5
WWW.FEMYERS.COM